

Hyundai R35Z-9A

Specifications

Net power 23.7 hp
(17.7 kW) at 2,200 rpm
Bucket breakout force
(ISO) 3,130 kgf / 6,900 lbf

Operating weight (cab / canopy)
3,840 kg (8,470 lb) / 3,550 kg (7,800 lb)
Arm Digging Force
(ISO) 1,990 kgf / 4,390 lbf

ENGINE

MODEL	YANMAR 3TNV88F		
Type	Water-cooled, 4-cycle diesel 3 cylinders in line, direct injection, low emission		
Rated flywheel horsepower	SAE	J1995 (gross)	24.4 HP (18.2 kW) at 2,200 rpm
		J1349 (net)	23.7 HP (17.7 kW) at 2,200 rpm
Max. torque	9.1 kgf-m (79 lbf-ft) at 1,320 rpm		
Bore X stroke	88 mm x 90 mm (3.46" x 3.54")		
Piston displacement	1,642 cc (100 in ³)		
Battery	1 x 12V x 70 Ah		
Starting motor	12V - 2.3 kW		
Alternator	12V - 55 Amp		

HYDRAULIC SYSTEM

MAIN PUMP	
Type	Variable-displacement piston pumps + gear pump
Max. flow	2 x 37.4 l/min (2 x 9.9 gpm) + 23.1 l/min (6.1 gpm) at 2,200 rpm
Sub-pump for pilot circuit	Gear pump

Cross-sensing and fuel-saving pump system

HYDRAULIC MOTORS

Travel	Two-speed axial piston motor with counter balance valve and parking brake
Swing	Axial piston motor with automatic brake

RELIEF VALVE SETTING

Implement circuits	230 kgf/cm ² (3,270 psi)
Travel circuit	230 kgf/cm ² (3,270 psi)
Swing circuit	200 kgf/cm ² (2,845 psi)
Pilot circuit	40 kgf/cm ² (570 psi)
Service valve	Installed

HYDRAULIC CYLINDERS

No. of cylinders bore X stroke	Boom: 85 x 540 mm (3.3" x 21.3")
	Arm: 80 x 585 mm (3.1" x 23.0")
	Bucket: 70 X 510 mm (2.8" x 20.1")
	Boom swing: 80 X 400 mm (3.1" x 15.7")
	Dozer blade: 95 X 152 mm (3.7" x 6.0")

TRAVEL SYSTEM

Drive method	Full hydrostatic type
Drive motor	Axial piston motor, in-shoe design
Reduction system	2-stage planetary
Max. drawbar pull	3,100 kgf (6,835 lbf)
Max. travel speed (high) / (low)	4.2 km/hr (2.6 mph) / 2.5 km/hr (1.6 mph)
Gradeability	30° (58%)
Parking brake	Multi-wet disc

CONTROLS

Pilot-pressure-operated joysticks and pedals with detachable lever provide almost effortless and fatigueless operation.

Pilot control	Two joysticks with one safety lever (LH): Arm and swing (RH): Boom and bucket with horn (ISO)
Traveling and steering	Two levers with pedals
Engine throttle	Electric, accel dial type

SWING SYSTEM

Swing motor	Axial piston motor
Swing reduction	2-stage planetary
Swing bearing lubrication	Grease-bathed
Swing brake	Multi wet disc
Swing speed	9.5 rpm

COOLANT AND LUBRICANT CAPACITY

(Refilling)	liter	gal
Fuel tank	40.0	10.5
Engine coolant	5.5	1.5
Engine oil	6.7	1.8
Hydraulic tank	37.0	9.8
Hydraulic System	60	15.9

WEIGHT (APPROXIMATE)

Operating weight, including 2,500 mm (8' 12") boom, 1,300 mm (4' 3") arm, SAE heaped 0.11 m³ (0.14 yd³) excavator bucket, 300 mm (11.8") rubber track, lubricant, coolant, full fuel tank, hydraulic tank, 560 kg (1,230 lb) counterweight and the standard equipment.

Operating weight (canopy)	3,550 Kg (7,800 lb)
Ground pressure (canopy)	0.33 kg/cm ² (4.69 psi)

UNDERCARRIAGE

X-leg type center frame is integrally welded with reinforced box-section track frames. The undercarriage includes lubricate rollers, track adjusters with shock absorbing springs and sprockets, and track chain with triple grouser shoes.

Center frame	X - leg type
Track frame	Pentagonal box type
No. of track shoes on each side	44
No. of upper rollers on each side	1
No. of lower rollers on each side	4



Rating over front



Rating over side or 360 degree

R35Z-9A Lifting Capacity ISO Condition 2

Boom: 2.50 m (8' 2") / Arm: 1.30 m (4' 3") / Bucket: 0.11 m³ (0.14 yd³) SAE heaped / Dozer down / Rubber track: 300 mm (12") / Cab Type / Counterweight: 560 kg (1,230 lb)

Lift-point height m (ft)		Lift-point radius								At max. reach		
		1.0 m (3.3 ft)		2.0 m (6.6 ft)		3.0 m (9.8 ft)		4.0 m (13.1 ft)		Capacity		
												Reach m(ft)
4.0m	kg									*670	*670	3.12
13.1ft	lb									*1,470	*1,470	(10.2)
3.0m	kg							*620	590	*630	580	4.04
9.8ft	lb							*1,370	1,300	*1,380	1,280	(13.3)
2.0m	kg					*790	*790	*650	580	*630	480	4.48
6.6ft	lb					*1,730	*1,730	*1,430	1,280	*1,390	1,070	(14.7)
1.0m	kg					*1,060	850	*740	560	*650	450	4.61
3.3ft	lb					*2,340	1,870	*1,620	1,230	*1,430	1,000	(15.1)
0.0m	kg			*1,260	*1,260	*1,190	810	*790	540	*670	470	4.46
0.0ft	lb			*2,770	*2,770	*2,620	1,800	*1,740	1,200	*1,480	1,030	(14.6)
-1.0m	kg	*1,930	*1,930	*1,890	1,550	*1,110	810			*690	550	4.00
-3.3ft	lb	*4,250	*4,250	*4,160	3,430	*2,440	1,790			*1,520	1,210	(13.1)
-2.0m	kg			*1,210	*1,210	*670	*670			*650	*650	3.03
-6.6ft	lb			*2,670	*2,670	*1,490	*1,490			*1,440	*1,440	(9.9)

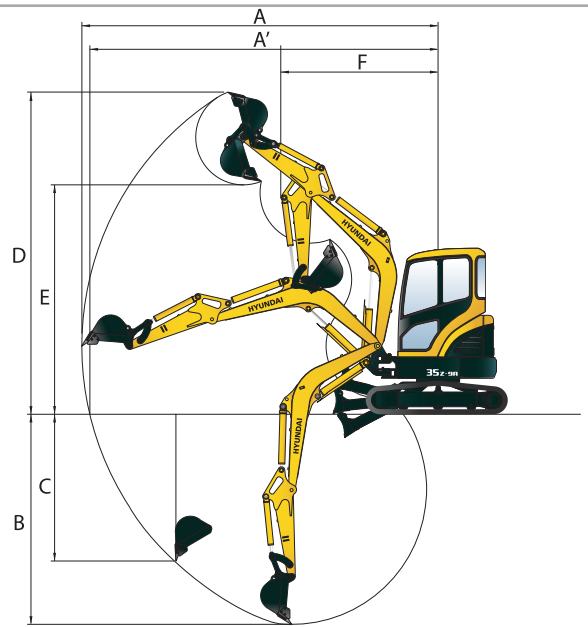
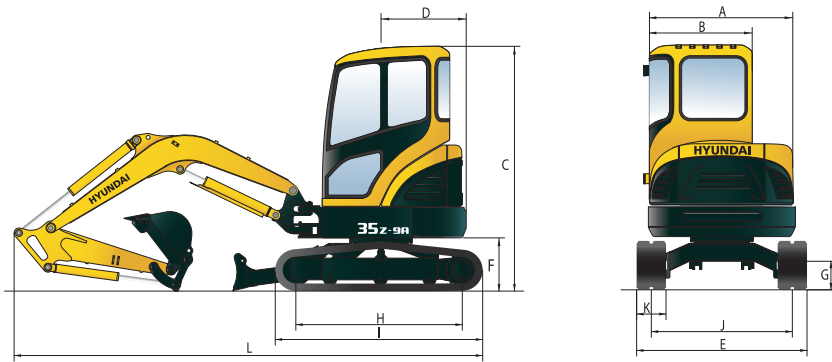
Notes:

- Lifting capacities are based on ISO 10567.
- Lifting capacities of the 9A Series does not exceed 75% of tipping load with the machine on firm, level ground or 87% of full hydraulic capacity.

- The lift-point is a hook (standard equipment) located on the back of the bucket.
- (*) indicates load limited by hydraulic capacity.

Dimensions & Working Range

R35Z-9A DIMENSIONS



R35Z-9A DIMENSIONS

		mm (ft-in)			
A	Overall width of upper structure	1,500 (4' 11")	G Ground clearance	290 (0' 11")	
B	Overall width of cab	1,050 (3' 5")	H Tumbler distance	1,700 (5' 7")	
C	Overall height of cab	2,500 (8' 2")	I Track length	2,130 (7' 10")	
D	Tail swing radius	870 (2' 10")	J Track gauge	1,440 (4' 9")	
E	Overall width	1,740 (5' 9")	K Track shoe width	300 (1' 0")	
F	Clearance under counterweight	540 (1' 9")	L Overall length	1,300-mm Arm	4,790 (15' 9")
				1,600-mm Arm	4,815 (15' 10")

R35Z-9A WORKING RANGE

		mm (ft-in)	
Boom length		2,500 (8' 2")	
Arm length		1,300 (4' 3")	1,600 (5' 3")
A	Max. digging reach	5,315 (17' 5")	5,605 (18' 5")
A'	Max. digging reach at ground	5,200 (17' 1")	5,495 (18' 0")
B	Max. digging depth	3,135 (10' 3")	3,440 (11' 3")
C	Max. vertical wall digging depth	2,190 (7' 2")	2,565 (8' 5")
D	Max. digging height	4,810 (15' 9")	5,010 (16' 5")
E	Max. dumping height	3,425 (11' 3")	3,615 (11' 10")
F	Min. swing radius	2,350 (7' 9")	2,330 (7' 8")

STANDARD EQUIPMENT

Cabin TOPS ISO 12117 (ROPS ISO 12117-2) FOG ISO 10262 Level I (FOPS ISO 3449 Level I)

All-weather steel cab with all-around visibility

Safety glass windows

Sliding fold-in front window

Sliding side window

Lockable door

Accessory box

Air conditioner and heater

Centralized monitoring

Gauges

- Fuel level gauge
- Engine coolant temperature gauge

Warning indicators

- Quick clamp
- Engine oil pressure
- Engine coolant temperature
- Preheat
- Low battery
- Air cleaner clogging
- Fuel empty

Door and locks, universal key

Mechanical suspension seat with seat belt

Radio / USB Player

Console box tilting system (LH)

One front working lights

Electric horn

Battery (1 x 12 V x 70 AH)

Battery master switch

- Automatic swing brake
- Removable reservoir tank
- Water separator, fuel line
- Mono boom (2.5 m / 8' 2")
- Arm (1.3 m / 4' 3")
- Rubber track shoes (300 mm / 12")
- Double acting piping (Clamshell, etc)
- Auto idle function
- Universal start key
- Emergency stop switch
- Auto travel shift down travel motor
- Cabin lamp
- Travel alarm
- Quick coupler with piping
- Heater and defroster
- Pattern-change lever
- Hyundai bucket (0.11 m³ / 0.14 yd³)

OPTIONAL EQUIPMENT

Canopy TOPS ISO 12117 (ROPS ISO 12117-2) FOG ISO 10262 Level I (FOPS ISO 3449 Level I)

Accumulator

Steel track shoes (300 mm / 12")

Long Arm (1.6 m)

Additional counterweight (150kg / 330lb)

RCV with proportional control switch

Rotating attachment piping

Safety lock valve



www.hceamericas.com

6100 Atlantic Blvd., Norcross, GA 30071

TEL (678) 823-7777 FAX (678) 823-7778

Printed in U.S.A.

1040-EX-SP 11/2016